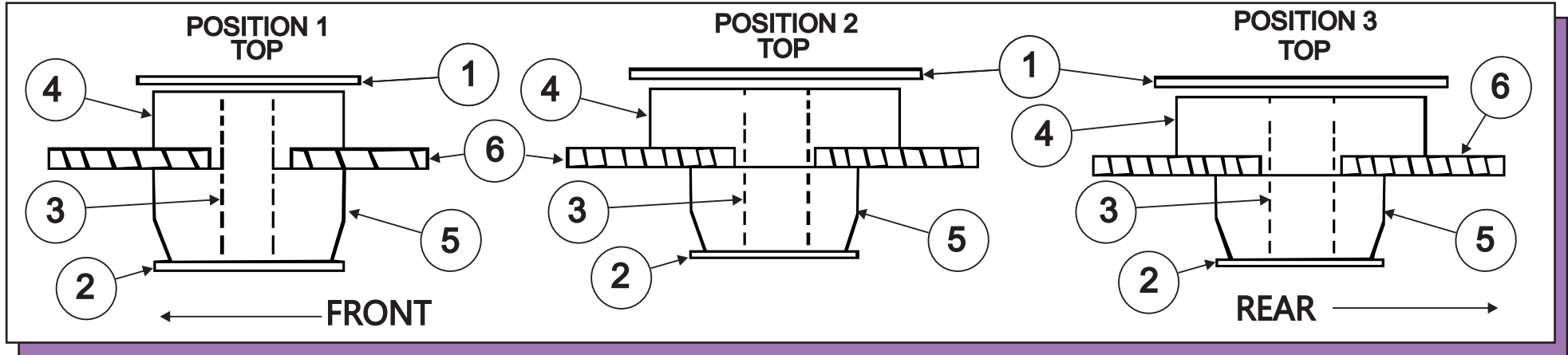


Installation Instructions for set # 3-4107



1131 VIA CALLEJON, SAN CLEMENTE, CA 92673

Note: It is recommended that this set be professionally installed if you are unfamiliar with this type of work, and a factory service manual be purchased prior to performing any work on your vehicle for proper disassembly, reassembly and torque specs..



FRONT #1 POSITION

1. 2-1/2" x 3/8" flat washer
2. 2" x 3/8" flat washer
3. Sleeve - 7/8" x 3/4" x 1-1/2"
4. Top mount - 4025
5. Bottom mount - 4026
6. Frame

NOTE: Use original 3/8" bolt & nut

POSITION #2

1. 3" x 9/16" flat washer
2. 2" x 9/16" flat washer
3. Sleeve - (O.E.M.)
4. Top mount - 4059 (.937 height)
5. Bottom conical - 4011
6. Frame

NOTE: Use original 9/16" x 6" bolt & nut

POSITION #3

1. Washer/sleeve combo (see Plc. A)
2. 2" x 7/16" flat washer
3. Sleeve - (O.E.M.) shorten to 3-7/8"
4. Top mount - 4008
5. Bottom mount - 4009
6. Frame

NOTE: Use 7/16" x 6-1/2" bolt supplied

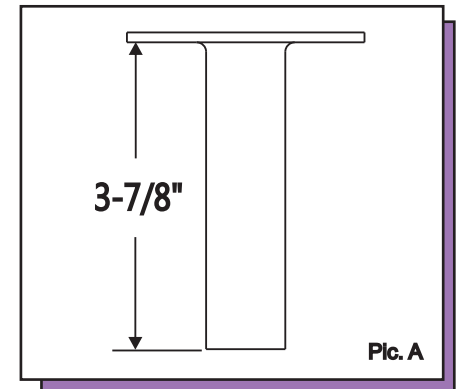
17015
7/JAN/16 MAX

1. Kit comes with 6 conical shaped grommets. Two of which have a larger I.D. than the other four. These are marked 4009 and fit the rear cab sleeves only.

2. The rear cab sleeves have to be shortened to a length of 3-7/8". The two bolts supplied will replace the O.E.M. bolts for the rear mounts only. The majority of these sleeves are heat treated, so cutting them with a conventional hacksaw may be difficult. Whether they are ground or flame cut, care must be taken on making a square cut to allow proper contact with the flat washer when final torque is applied. Torque spec. is 49 ft.-lbs for this position.

3. The center (position 2) mounts will be slightly taller than the two front (position 1) mounts. You must use your existing hardware for these four points. Once installed, torque the position one mounts to 31 ft.-lbs, and the position two mounts to 85 ft.-lbs.

4. The 6-1/2" long bolts supplied are not for use on trucks that have body lift blocks. If your truck has a body lift kit you will need to use longer bolts.



© 2005 Energy Suspension. All rights reserved.

May not be reproduced, in any form, or by any means, without the written consent of Energy Suspension.