

FF1504H**FORD**

Front suspension package
Ensemble pour suspension avant
Ensemble para suspensión de delantero

INSTALLATION INSTRUCTIONS

- Raise vehicle allowing the axle to hang freely.
- Remove existing bump stop assembly.
- Assemble Aeon rubber spring and bracket as shown in the adjacent diagram.
- Mount Timbren assembly using existing holes & Timbren supplied fasteners.
- Lower vehicle.

NOTES:

Position right frame bracket so that Aeon rubber spring is as far forward as possible.

If bump stop bracket has rivets, please remove rivets.

INSTRUCTIONS DE MONTAGE

- Soulever le véhicule de sorte que l'essieu soit dégagé.
- Retirer l'assemblage de la butée de suspension existante.
- Assembler le ressort en caoutchouc Aeon et le support comme il est indiqué dans le schéma adjacent.
- Monter l'assemblage Timbren en utilisant les trous existants et la boulonnerie fournie avec l'assemblage Timbren.
- Redescendre le véhicule.

REMARQUES:

Placer le support du cadre droit de sorte que le ressort en caoutchouc Aeon soit le plus loin possible en avant. Retirer les rivets du support de la butée de suspension si celui-ci en est muni.

INSTRUCCIONES DE INSTALACIÓN

- Levante el vehículo dejando que los ejes cuelguen libremente.
- Retire la unidad del tope de suspensión existente.
- Ensamble el resorte de caucho Aeon y la abrazadera como se muestra en el diagrama adyacente.
- Monte la unidad Timbren utilizando los orificios existentes y los elementos de sujeción Timbren provistos.
- Baje el vehículo.

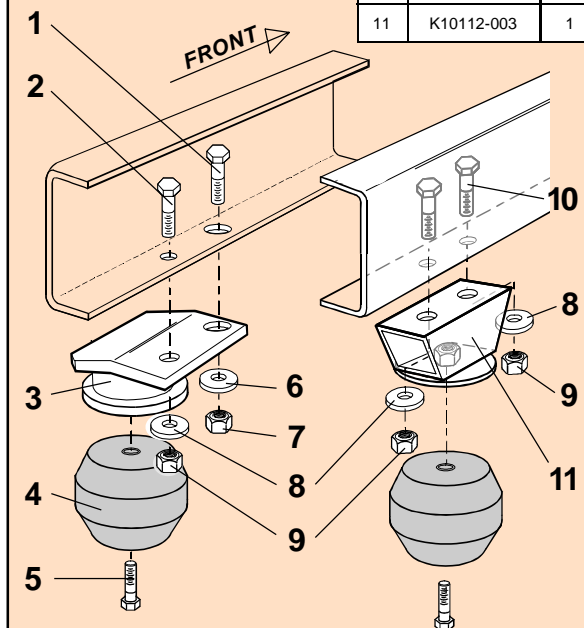
NOTAS:

Coloque en posición la abrazadera derecha del chasis para que el resorte de caucho Aeon esté lo más adelante posible.

Si la abrazadera del tope de suspensión tiene remaches, por favor, quite los remaches.

Ref. = Reference = No. de référence = Núm. de referencia
Part = Part #. = No. de pièce = Núm. de pieza
Qty. = Quantity = Quantité = Cantidad

	Ref	Part	Qty
7/16" x 1½" UNC.....	1	F11082-250	1
5/16" x 1½" UNC.....	2	F11043-250	1
	3	K10227-003	1
	4	A00170-75P20	2
3/8 x 1¼" UNC.....	5	F11062-250	2
	6	F40041-020	1
	7	F31004-250	1
	8	F40020-020	3
	9	F31002-250	3
5/16" x 1" UNC.....	10	F11041-250	2
	11	K10112-003	1



Do not exceed vehicle manufacturer's recommended axle weight rating. Check for AEON® interference with vehicle components - Under load AEON® will "expand" in diameter.

Ne pas dépasser le poids nominal sur l'essieu recommandé par le fabricant du véhicule. Vérifier que le ressort AEON® n'a pas d'incidence sur d'autres pièces du véhicule - Le ressort AEON® augmentera son diamètre avec la charge.

No exceda la carga nominal en el eje recomendada por el fabricante del vehículo. Compruebe que no haya interferencia entre el resorte AEON® y los otros componentes del vehículo. Bajo carga, el resorte AEON® se ampliará en diámetro.

FF1504H



FF1504H

TIMBREN INDUSTRIES INC.

www.timbren.com

ASSEMBLY NOTES:

APPLY 'LEFT' LABEL TO K10227 BRACKET

PART NUMBER	DESCRIPTION	QTY	LOCATION
F31002-250	NYLOCK LOCKNUT 5/16 UNC GR 5 Z	3	H1E
F40020-020	WASHER FLAT USS 5/16 x 7/8 GR 2 Z	3	H1E
F11041-250	HCS 5/16 x 1 UNC GR 5 Z	2	H1D
F11043-250	HCS 5/16 x 1-1/2 UNC GR 5 Z	1	H1D
F31004-250	NYLOCK LOCKNUT 7/16 UNC GR 5 Z	1	H1C
F40041-020	WASHER FLAT USS 7/16 x 1-1/4 GR 2 Z	1	H1C
F11082-250	HCS 7/16 x 1-1/2 UNC GR 5 Z	1	H1C
F11062-250	HCS 3/8 x 1-1/4 UNC GR 5 Z	2	G3D
A00170-75P20	Hollow Rubber Spring	2	C2A
K10227-003	FF1504H WELDMENT PAINTED	1	D19D
K10112-003	FF1504 BRACKET (PAINTED)	1	D19D
B90264-CF	MINI FRONT BOX - 7 x 5.25 x 4.75	1	A--D
B10000	8" x 12" BUBBLE FOR KITS	1	
B00029-010	BARCODE LABEL FOR KIT	1	

Issued: 12/6/2007

Clearance Instructions:

Rear SES Kits for Pick-Ups and Vans should have a 1/2" to 1-1/2" gap between the rubber spring and contact point when empty.

A partial load, or vehicle accessories will reduce or eliminate the gap.

Front SES kits are usually in full contact.

Medium and Heavy-Duty Trucks, Trailers and Motorhomes will be in constant contact, and have no gap.

Lifetime Warranty:

Timbren SES Kits are warranted against defects in material and workmanship, under normal use and service, for the life of the vehicle on which the kit was originally installed. The warranty is not transferable and proof of purchase is required. The warranty is limited to the replacement of the failed part.

TIMBREN will not be responsible for any labour or freight charges involved in the replacement of any product. TIMBREN shall be entitled to make its own inspection to determine the validity of the claim. TIMBREN shall not be liable nor warranty the product in the event of alteration, misuse, overload, negligence or damage caused by others.

If ride or performance of our product is unsatisfactory in any way, please call: 1-800-263-3113 or email sales@timbren.com