

# FF9000A

# FORD

## Front suspension package Ensemble pour suspension avant Ensemble para suspensión de delantero

### INSTALLATION INSTRUCTIONS

- Raise vehicle allowing the axle to hang freely.
- Remove existing bump stop located on U-bolt pad & retain fastener.
- Mount Timbren lower bracket using OEM fasteners.
- Assemble Aeon rubber spring and bracket as shown in the adjacent diagram.
- Position Timbren assembly above U-bolt pad on frame & drill through bracket & frame.
- Mount Timbren assembly to frame using 3 Gr.8 bolts of 1/2" diameter
- Lower vehicle.

#### NOTES:

When removing OEM fasteners, use penetrating fluid.

#### SAFETY CAUTIONS:

Always refer to and follow the vehicle manufacturer's guidelines when welding or drilling during installation of this kit.

Do not exceed vehicle manufacturer's recommended axle weight rating. Check for AEON<sup>®</sup> interference with vehicle components - Under load AEON<sup>®</sup> will "expand" in diameter.

### INSTRUCTIONS DE MONTAGE

- Soulever le véhicule de sorte que l'essieu soit dégagé.
- Retirer la butée de suspension existante située sur le coussin du boulon en U et conserver la boulonnerie.
- Monter le support inférieur Timbren en utilisant la boulonnerie du fabricant d'équipement.
- Assembler le ressort en caoutchouc Aeon et le support comme il est indiqué dans le schéma adjacent.
- Placer l'assemblage Timbren au-dessus du coussin du boulon en U sur le cadre et percer au travers du support et du cadre.
- Monter l'assemblage Timbren au cadre en utilisant 3 boulons de 1/2 po de diamètre Gr.8.
- Redescendre le véhicule.

#### REMARQUES:

Utiliser un fluide pénétrant, au moment de retirer la boulonnerie du fabricant d'équipement.

#### MESURES DE SECURITE

Se référer aux directives du fabricant et les suivre en tout temps lors du soudage ou du perçage en ce qui concerne l'installation du présent ensemble.

Ne pas dépasser le poids nominal sur l'essieu recommandé par le fabricant du véhicule. Vérifier que le ressort AEON<sup>®</sup> n'a pas d'incidence sur d'autres pièces du véhicule - Le ressort AEON<sup>®</sup> augmentera son diamètre avec la charge.

### INSTRUCCIONES DE INSTALACIÓN

- Levante el vehículo dejando que los ejes cuelguen libremente.
- Retire el tope de suspensión existente localizado en el cojín amortiguador del perno "U" y el pasador de retención.
- Monte la abrazadera inferior Timbren utilizando los elementos de sujeción OEM.
- Ensamble el resorte de caucho Aeon y la abrazadera como se muestra en el diagrama adyacente.
- Coloque en posición la unidad Timbren sobre el cojín amortiguador del perno "U" en el chasis y perfore a través de la abrazadera y el chasis.
- Monte la unidad Timbren al chasis utilizando 3 pernos Gr.8 de 1/2" de diámetro
- Baje el vehículo.

#### NOTAS:

Al remover los elementos de sujeción del fabricante original de equipo, utilice fluido penetrante.

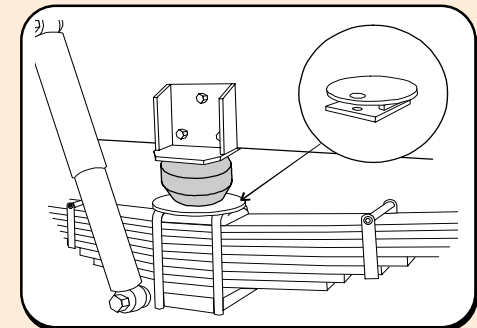
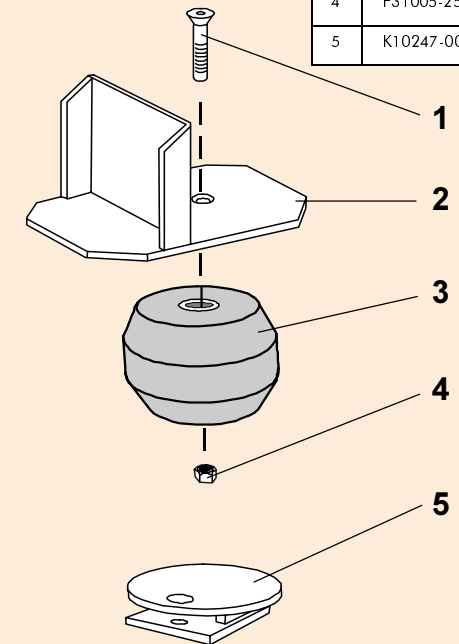
#### PRECAUCIONES DE SEGURIDAD

Siempre consulte y siga las instrucciones del fabricante del vehículo al soldar o perforar durante la instalación de este kit.

No exceda la carga nominal en el eje recomendada por el fabricante del vehículo. Compruebe que no haya interferencia entre el resorte AEON<sup>®</sup> y los otros componentes del vehículo. Bajo carga, el resorte AEON<sup>®</sup> se amplía en diámetro.

Ref. = Reference = No. de référence = Núm. de referencia  
Part = Part #. = No. de pièce = Núm. de pieza  
Qty. = Quantity = Quantité = Cantidad

Ref	Part	Qty
1	F12106-253	2
2	K10248-003	2
3	A01525-65G70	2
4	F31005-250	2
5	K10247-003	2



FF9000A





Ride Quality Control

# TIMBREN SES

Suspension Enhancement Systems

Typical Light Duty & Medium Duty Installation



Check clearance when Vehicle is Empty



Be sure Rubber spring is seated directly over lower support.

Typical Heavy Duty Installation



## Clearance Instructions

### For Light Duty Pickups & Vans

Rear SES kits should have approximately 1" gap between rubber spring and axle for 1/2 and 3/4 tons, and for one ton the gap should be about 1/2" when the vehicle is completely unloaded. A cap or fifth wheel plate will reduce or eliminate this gap.

Front SES kits are usually in contact with the front suspension at all times.

### For Medium Duty & Heavy Duty Trucks, Trailers, Motor Homes, and more

Medium & Heavy Duty vehicles often have pre-load as outlined in the instruction sheet. (For specific Medium Duty applications with a constant load on the suspension like Rvs, Utility Vans or Cube Vans, the Timbren SES kits are pre-loaded.)

**Check clearances when vehicle is empty...**

## Consider Your Needs..!

Knowing the use of the vehicle will help you to select the right SES kit. For example a one ton truck can be configured as a pick-up, service vehicle or tow truck. Standard capacity or severe service applications are available for many applications.

Knowing that the suspension has been modified or is old and sagging should indicate the need to adjust the ride height to obtain the correct clearance.

This can be done by altering the SES kit (changing rubber spring or bracket) or re-arching the leaf springs to renew the optimum OEM ride height.

## Limited Lifetime Warranty

*TIMBREN SES kits are warranted against defects in material and workmanship, under normal use and service, for the life of the vehicle on which the kit was originally installed. The warranty is not transferable and proof of purchase is required. The warranty is limited to the replacement of the failed part. TIMBREN will not be responsible for any labour or freight charges involved in the replacement of any product. TIMBREN shall be entitled to make its own inspection to determine the validity of the warranty claim. TIMBREN shall not be liable nor warrant the product in the event of alteration, misuse, overload, negligence or damage caused by others.*

If ride is unsatisfactory in any way, please call:

**TIMBREN INDUSTRIES INC.**

**1-800-263-3113**

www.timbren.com  
email: sales@timbren.com