

FRM2L

FREIGHTLINER

Rear suspension package
Ensemble pour suspension arrière
Ensemble para suspensión de trasero

INSTALLATION INSTRUCTIONS

- With vehicle unloaded measure 5" from the Timbren frame bracket to U-bolt pad.
- When positioning frame bracket ensure that the Aeon spring rests over center of U-bolt pad.
- Drill holes for frame bracket providing for at least four ½" Gr.8 bolts through the bracket & frame. (Bolt frame bracket to frame using existing holes where possible)
- Assemble Aeon spring to bracket as shown in adjacent diagram.
- Weld Timbren lower assembly to U-bolt pad.

SAFETY CAUTIONS

Ensure sufficient clearance between frame bracket & tire.

OVERLOAD PREVENTION:

A working height less than 2" results in overload condition of item 4. If this condition exists during operation of vehicle, customer supplied mechanical stop to limit suspension travel must be used.

Do not exceed vehicle manufacturer's recommended axle weight rating. Check for AEON® interference with vehicle components - Under load AEON® will "expand" in diameter.

INSTRUCTIONS DE MONTAGE

- Mesurer 5 po quand le véhicule est vide, à partir du support du cadre de Timbren jusqu'au support des boulons d'attache en U.
- S'assurer, au moment de positionner le support du cadre, que le ressort Aeon demeure au centre du support des boulons d'attache en U.
- Percer des trous pour le support du cadre pouvant recevoir au moins quatre boulons de ½ po Gr.8 à travers le support et le cadre. (Fixer à l'aide de boulons le support du cadre au cadre en utilisant les trous existants là où c'est possible.)
- Assembler le ressort Aeon au support comme il est indiqué dans le schéma adjacent.
- Souder l'assemblage inférieur Timbren au support des boulons d'attache en U.

MESURES DE SÉCURITÉ

Assurer un dégagement suffisant entre le support du cadre et les pneus.

PREVENTION DE SURCHARGE:

Si le niveau de travail est moins de 2", une condition de surcharge s'exerce sur la pièce no. 4. Si cette condition se produit lors du fonctionnement du véhicule, alors il faut employer la butée d'arrêt.

Ne pas dépasser le poids nominal sur l'essieu recommandé par le fabricant du véhicule. Vérifier que le ressort AEON® n'a pas d'incidence sur d'autres pièces du véhicule - Le ressort AEON® augmentera son diamètre avec la charge.

INSTRUCCIONES DE INSTALACIÓN

- Medir 5 Po cuando el vehículo es vacío, a partir del apoyo del marco de Timbren hasta el apoyo de los pernos de lazo en U.
- Al colocar en posición la abrazadera del chasis, asegúrese de que el resorte Aeon descansa sobre el centro del apoyo de los pernos delazo en U.
- Perfore los orificios para la abrazadera del chasis previendo al menos para cuatro pernos de ½" Gr.8 a través de la abrazadera y el chasis. (Atornille la abrazadera del chasis al chasis utilizando los orificios existentes donde sea posible)
- Ensamble el resorte Aeon a la abrazadera como se muestra en el diagrama adyacente.
- Soldar la unidad inferior Timbren con el apoyo de los pernos de lazo en U.

PRECAUCIONES DE SEGURIDAD

Deje suficiente espacio libre entre la abrazadera del chasis y la llanta.

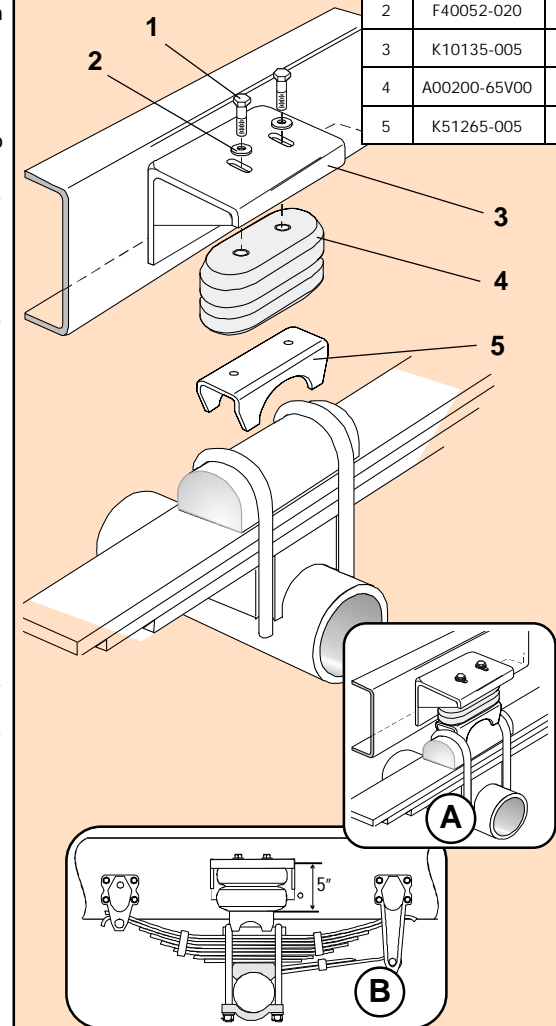
PREVENCIÓN DE SOBRECARGA:

Si el nivel de trabajo es menos de 2", una condición de sobrecarga se ejerce sobre la parte n 4. Si esta condición producirse en el funcionamiento del vehículo, entonces es necesario emplear el impulso de paro.

No exceda la carga nominal en el eje recomendada por el fabricante del vehículo. Compruebe que no haya interferencia entre el resorte AEON® y los otros componentes del vehículo. Bajo carga, el resorte AEON® se ampliará en diámetro.

Ref. = Reference = No. de référence = Núm. de referencia
Part = Part #. = No. de pièce = Núm. de pieza
Qty. = Quantity = Quantité = Cantidad

Ref	Part	Qty
1	F11102-150	4
2	F40052-020	4
3	K10135-005	2
4	A00200-65V00	2
5	K51265-005	2



FRM2L





Ride Quality Control

TIMBREN SES

Suspension Enhancement Systems

Typical Light Duty & Medium Duty Installation



Check clearance when Vehicle is Empty



Be sure Rubber spring is seated directly over lower support.

Typical Heavy Duty Installation



Clearance Instructions

For Light Duty Pickups & Vans

Rear SES kits should have approximately 1" gap between rubber spring and axle for 1/2 and 3/4 tons, and for one ton the gap should be about 1/2" when the vehicle is completely unloaded. A cap or fifth wheel plate will reduce or eliminate this gap.

Front SES kits are usually in contact with the front suspension at all times.

For Medium Duty & Heavy Duty Trucks, Trailers, Motor Homes, and more

Medium & Heavy Duty vehicles often have pre-load as outlined in the instruction sheet. (For specific Medium Duty applications with a constant load on the suspension like Rvs, Utility Vans or Cube Vans, the Timbren SES kits are pre-loaded.)

Check clearances when vehicle is empty...

Consider Your Needs..!

Knowing the use of the vehicle will help you to select the right SES kit. For example a one ton truck can be configured as a pick-up, service vehicle or tow truck. Standard capacity or severe service applications are available for many applications.

Knowing that the suspension has been modified or is old and sagging should indicate the need to adjust the ride height to obtain the correct clearance.

This can be done by altering the SES kit (changing rubber spring or bracket) or re-arching the leaf springs to renew the optimum OEM ride height.

Limited Lifetime Warranty

TIMBREN SES kits are warranted against defects in material and workmanship, under normal use and service, for the life of the vehicle on which the kit was originally installed. The warranty is not transferable and proof of purchase is required. The warranty is limited to the replacement of the failed part. TIMBREN will not be responsible for any labour or freight charges involved in the replacement of any product. TIMBREN shall be entitled to make its own inspection to determine the validity of the warranty claim. TIMBREN shall not be liable nor warrant the product in the event of alteration, misuse, overload, negligence or damage caused by others.

If ride is unsatisfactory in any way, please call:

TIMBREN INDUSTRIES INC.

1-800-263-3113

www.timbren.com
email: sales@timbren.com