

RESOS1

Rear suspension package Ensemble pour suspension arrière Ensemble para suspensión de trasero

INSTALLATION INSTRUCTIONS

- With vehicle unloaded, locate Timbren frame bracket above U-bolt pad at measurement of 5" (see Diagram)
- Drill holes for Timbren bracket providing for at least four ½" Gr.8 bolts through the bracket & frame.
- Assemble Aeon spring to bracket as shown in adjacent diagram.
- Mount Timbren assembly to truck frame.

NOTES:

Holes in frame bracket must be within the gusset area.

SAFETY CAUTIONS

Ensure sufficient clearance between frame bracket & tire.
Always refer to and follow the vehicle manufacturer's guidelines when welding or drilling during installation of this kit.

Do not exceed vehicle manufacturer's recommended axle weight rating. Check for AEON® interference with vehicle components - Under load AEON® will "expand" in diameter.

INSTRUCTIONS DE MONTAGE

- Positionner le support du cadre Timbren au-dessus du coussin du boulon en U à une distance de 5 po pour les véhicules à vide (voir le schéma).
- Perçer des trous pour le support Timbren pouvant recevoir au moins quatre boulons de ½ po Gr.8 à travers le support et le cadre.
- Assembler le ressort Aeon au support comme il est indiqué dans le schéma adjacent.
- Monter l'assemblage Timbren au cadre du camion.

REMARQUES:

Faire les trous dans le support du cadre à l'intérieur de la zone de la plaque de jonction.

MESURES DE SÉCURITÉ

Assurer un dégagement suffisant entre le support du cadre et les pneus.
Se référer aux directives du fabricant et les suivre en tout temps lors du soudage ou du perçage en ce qui concerne l'installation du présent ensemble.

Ne pas dépasser le poids nominal sur l'essieu recommandé par le fabricant du véhicule. Vérifier que le ressort AEON® n'a pas d'incidence sur d'autres pièces du véhicule - Le ressort AEON® augmentera son diamètre avec la charge.

INSTRUCCIONES DE INSTALACIÓN

- Con el vehículo descargado, ubique la abrazadera del chasis Timbren arriba del cojín amortiguador del perno "U" a una medida de 5" (vea Diagrama)
- Perfore los orificios para la abrazadera Timbren previendo al menos para cuatro pernos de ½" Gr.8 a través de la abrazadera y el chasis.
- Ensamble el resorte Aeon a la abrazadera como se muestra en el diagrama adyacente.
- Monte la unidad Timbren al chasis del camión.

NOTAS:

Los orificios en la abrazadera del chasis deben estar en el área de la placa de refuerzo.

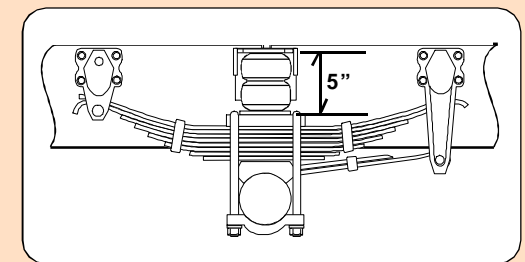
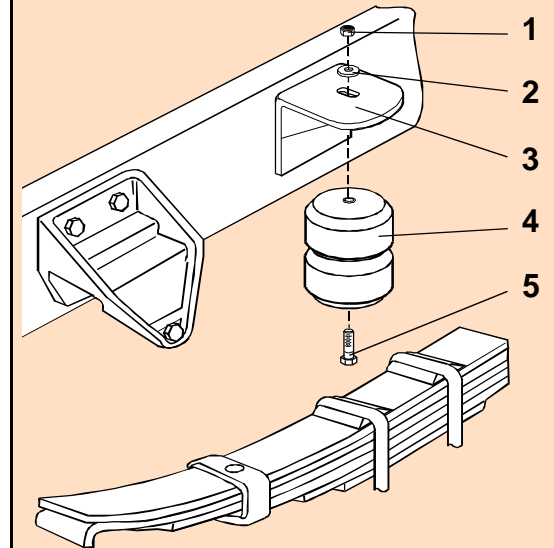
PRECAUCIONES DE SEGURIDAD

Deje suficiente espacio libre entre la abrazadera del chasis y la llanta.
Siempre consulte y siga las instrucciones del fabricante del vehículo al soldar o perforar durante la instalación de este kit.

No exceda la carga nominal en el eje recomendada por el fabricante del vehículo. Compruebe que no haya interferencia entre el resorte AEON® y los otros componentes del vehículo. Bajo carga, el resorte AEON® se amplía en diámetro.

Ref. = Reference = No. de référence = Núm. de referencia
Part = Part #. = No. de pièce = Núm. de pieza
Qty. = Quantity = Quantité = Cantidad

| Ref | Part | Qty |
|-----|--------------|-----|
| 1 | F31005-150 | 2 |
| 2 | F40052-020 | 2 |
| 3 | K10064-003 | 2 |
| 4 | A00540-65E60 | 2 |
| 5 | F11104-150 | 2 |



RESOS1



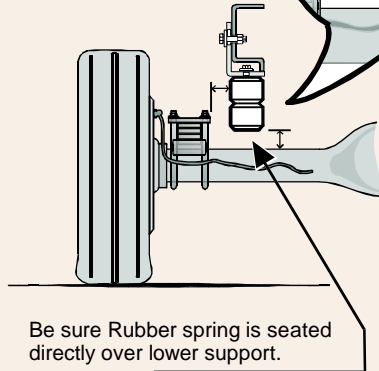
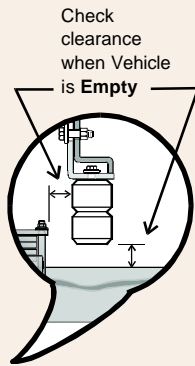


Ride Quality Control

TIMBREN SES

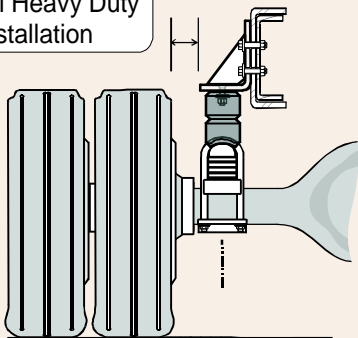
Suspension Enhancement Systems

Typical Light Duty & Medium Duty Installation



Be sure Rubber spring is seated directly over lower support.

Typical Heavy Duty Installation



Clearance Instructions

For Light Duty Pickups & Vans

Rear SES kits should have approximately 1" gap between rubber spring and axle for 1/2 and 3/4 tons, and for one ton the gap should be about 1/2" when the vehicle is completely unloaded. A cap or fifth wheel plate will reduce or eliminate this gap.

Front SES kits are usually in contact with the front suspension at all times.

For Medium Duty & Heavy Duty Trucks, Trailers, Motor Homes, and more

Medium & Heavy Duty vehicles often have pre-load as outlined in the instruction sheet. (For specific Medium Duty applications with a constant load on the suspension like Rvs, Utility Vans or Cube Vans, the Timbren SES kits are pre-loaded.)

Check clearances when vehicle is empty...

Consider Your Needs..!

Knowing the use of the vehicle will help you to select the right SES kit. For example a one ton truck can be configured as a pick-up, service vehicle or tow truck. Standard capacity or severe service applications are available for many applications.

Knowing that the suspension has been modified or is old and sagging should indicate the need to adjust the ride height to obtain the correct clearance.

This can be done by altering the SES kit (changing rubber spring or bracket) or re-arching the leaf springs to renew the optimum OEM ride height.

Limited Lifetime Warranty

TIMBREN SES kits are warranted against defects in material and workmanship, under normal use and service, for the life of the vehicle on which the kit was originally installed. The warranty is not transferable and proof of purchase is required. The warranty is limited to the replacement of the failed part. TIMBREN will not be responsible for any labour or freight charges involved in the replacement of any product. TIMBREN shall be entitled to make its own inspection to determine the validity of the warranty claim. TIMBREN shall not be liable nor warrant the product in the event of alteration, misuse, overload, negligence or damage caused by others.

If ride is unsatisfactory in any way, please call:

TIMBREN INDUSTRIES INC.

1-800-263-3113

www.timbren.com
email: sales@timbren.com