

# URMDC

## Rear suspension package Ensemble pour suspension arrière Ensemble para suspensión de trasero

### INSTALLATION INSTRUCTIONS

- LEAF SPRING: With vehicle unloaded measure 5" from the Timbren frame bracket to axle pad.
- AIR SUSPENSION: With vehicle unloaded & full air pressure measure 5" from the Timbren frame bracket to axle pad.
- When positioning frame bracket ensure that the Aeon spring rests over center of axle pad.
- Weld Timbren bracket to frame using a solid 3/8" weld all around. (Paint weld)
- Weld gusset to bracket & frame for strength.
- Assemble Aeon spring to bracket as shown in adjacent diagram.

### SAFETY CAUTIONS

Ensure sufficient clearance between frame bracket & tire.  
Always refer to and follow the vehicle manufacturer's guidelines when welding or drilling during installation of this kit.

### INSTRUCTIONS DE MONTAGE

- RESSORT À LAMES : Calculer 5 po à partir du support du cadre Timbren jusqu'au coussin de l'essieu pour les véhicules à vide.
- SUSPENSION PNEUMATIQUE : Calculer 5 po à partir du support du cadre Timbren jusqu'au coussin de l'essieu pour les véhicules à vide et plein de pression d'air.
- S'assurer, au moment de positionner le support du cadre, que le ressort Aeon demeure au centre du coussin de l'essieu.
- Souder le support Timbren au cadre au moyen d'une soudure solide de 3/8 po effectuée sur l'ensemble du support. (soudure peinte)
- Souder la plaque de jonction au support et au cadre pour plus de résistance.
- Assembler le ressort Aeon au support adjacent.

### MESURES DE SÉCURITÉ

Assurer un dégagement suffisant entre le support du cadre et les pneus.  
Se référer aux directives du fabricant et les suivre en tout temps lors du soudage ou du perçage en ce qui concerne l'installation du présent ensemble.

### INSTRUCCIONES DE INSTALACIÓN

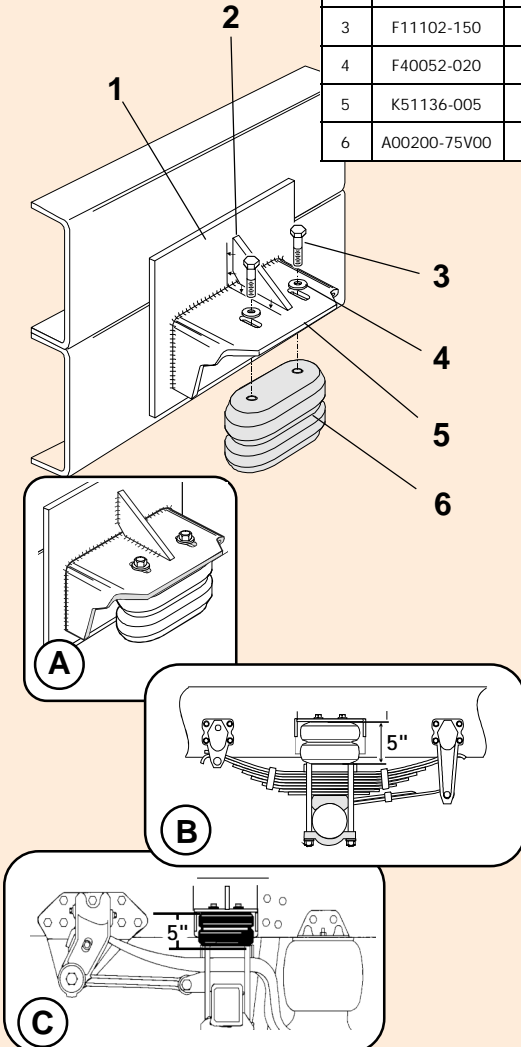
- RESORTE DE BALLESTA: Con el vehículo descargado, mida 5" desde la abrazadera del chasis Timbren hasta el cojín amortiguador del eje.
- SUSPENSIÓN NEUMÁTICA: Con el vehículo descargado y presión neumática plena, mida 5" desde la abrazadera de chasis Timbren hasta el cojín amortiguador del eje.
- Al colocar en posición la abrazadera del chasis, asegúrese de que el resorte Aeon descansa sobre el centro del cojín amortiguador del eje.
- Suelde la abrazadera Timbren al chasis utilizando una soldadura sólida de 3/8" en todo su alrededor. (Pinte la soldadura).
- Suelde la placa de refuerzo a la abrazadera y chasis para mayor fuerza.
- Ensamble el resorte Aeon a la abrazadera como se muestra en el diagrama adyacente.

### PRECAUCIONES DE SEGURIDAD

Deje suficiente espacio libre entre la abrazadera del chasis y la llanta.  
Siempre consulte y siga las instrucciones del fabricante del vehículo al soldar o perforar durante la instalación de este kit.

Ref. = Reference = No. de référence = Núm. de referencia  
Part = Part #. = No. de pièce = Núm. de pieza  
Qty. = Quantity = Quantité = Cantidad

Ref	Part	Qty
1	K52012-005	2
2	K53016-005	2
3	F11102-150	4
4	F40052-020	4
5	K51136-005	2
6	A00200-75V00	2



Do not exceed vehicle manufacturer's recommended axle weight rating. Check for AEON® interference with vehicle components - Under load AEON® will "expand" in diameter.

Ne pas dépasser le poids nominal sur l'essieu recommandé par le fabricant du véhicule. Vérifier que le ressort AEON® n'a pas d'incidence sur d'autres pièces du véhicule - Le ressort AEON® augmentera son diamètre avec la charge.

No exceda la carga nominal en el eje recomendada por el fabricante del vehículo. Compruebe que no haya interferencia entre el resorte AEON® y los otros componentes del vehículo. Bajo carga, el resorte AEON® se ampliará en diámetro.

URMDC

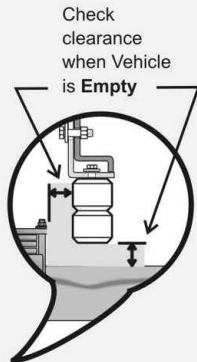
# TIMBREN SES

## Suspension Enhancement Systems

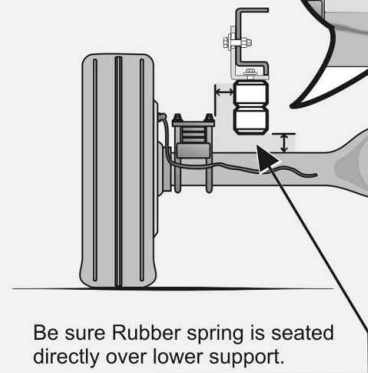


Ride Quality Control

Typical Light Duty Installation

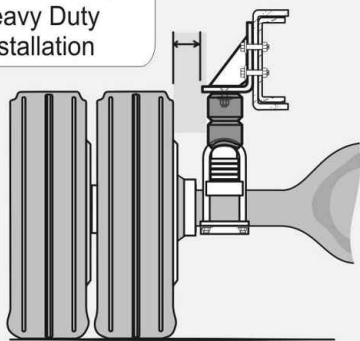


Check clearance when Vehicle is Empty



Be sure Rubber spring is seated directly over lower support.

Typical Medium & Heavy Duty Installation



Timbren Industries Inc. ©

### Clearance Instructions

#### For Light Duty Pickups & Vans

Rear SES kits should have approximately 1" gap between rubber spring and axle for 1/2 and 3/4 tons, and for one ton the gap should be about 1/2" when the vehicle is completely unloaded. A cap or fifth wheel plate will reduce or eliminate this gap.

Front SES kits are usually in contact with the front suspension at all times.

#### For Medium Duty & Heavy Duty Trucks, Trailers, Motor Homes, and more

Medium & Heavy Duty vehicles often have pre-load as outlined in the instruction sheet. (For specific Medium Duty applications with a constant load on the suspension like Rvs, Utility Vans or Cube Vans, the Timbren SES kits are pre-loaded.)

**Check clearances when vehicle is empty...**

### Consider Your Needs..!

Knowing the use of the vehicle will help you to select the right SES kit. For example a one ton truck can be configured as a pick-up, service vehicle or tow truck. Standard capacity or severe service applications are available for many applications.

Knowing that the suspension has been modified or is old and sagging should indicate the need to adjust the ride height to obtain the correct clearance.

This can be done by altering the SES kit (changing rubber spring or bracket) or re-arching the leaf springs to renew the optimum OEM ride height.

## Lifetime Warranty

TIMBREN SES kits are warranted against defects in material and workmanship, under normal use and service, for the life of the vehicle on which the kit was originally installed. The warranty is not transferable and proof of purchase is required. The warranty is limited to the replacement of the failed part. TIMBREN will not be responsible for any labour or freight charges involved in the replacement of any product. TIMBREN shall be entitled to make its own inspection to determine the validity of the warranty claim. TIMBREN shall not be liable nor warrant the product in the event of alteration, misuse, overload, negligence or damage caused by others.

If ride or performance of our product is unsatisfactory in any way, please call:

**TIMBREN INDUSTRIES INC.**

**1-800-263-3113**



[www.timbren.com](http://www.timbren.com)

email: [sales@timbren.com](mailto:sales@timbren.com)