

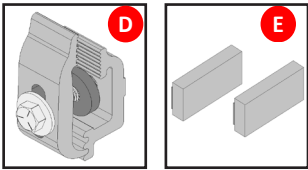
INSTALLATION INSTRUCTIONS

CUSTOMER SERVICE

Phone: 877-878-9336 • 8:00 am - 5:00 pm Mon - Fri CT

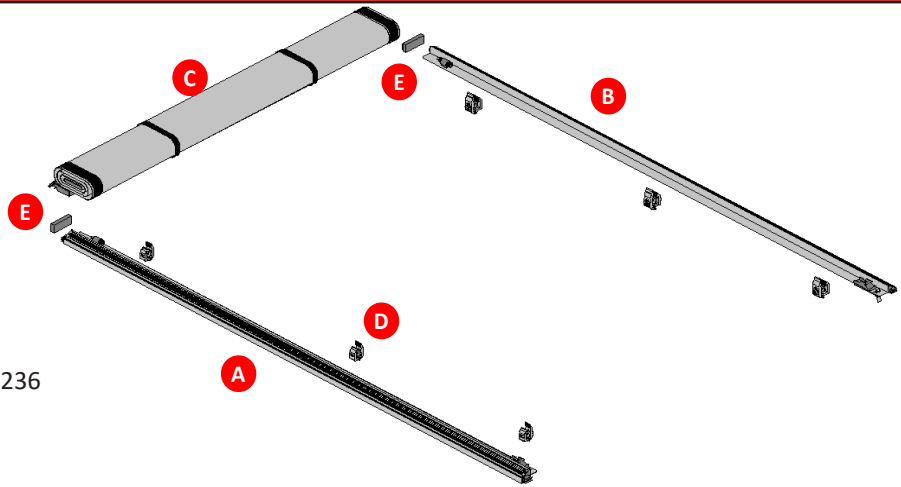
Email: customersupport@truxedo.com

NISSAN FRONTIER 2022 and NEWER SIDE RAIL CLAMPING AND BULKHEAD SEAL INSTALLATION



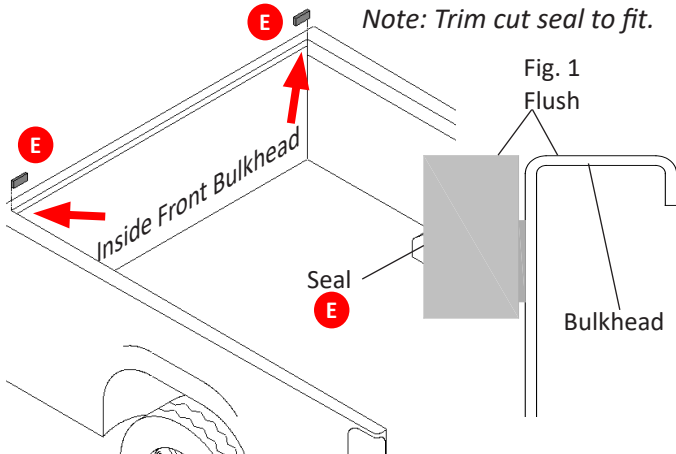
PARTS INCLUDED IN YOUR KIT:

- A** Driver side rail
- B** Passenger side rail
- C** Cover assembly
- D** 6x clamps, P/N 1118782
- E** 2x Bulkhead Corner Seals, P/N 1118236

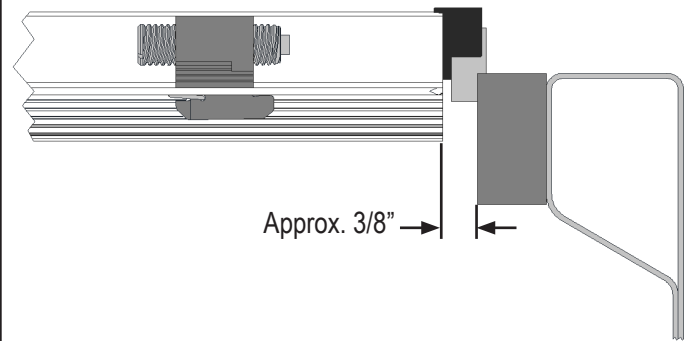


Follow these instructions to install cab weather seal, side rail clamps, and cab header on your 2022 or newer Nissan Frontier pickup. Refer to Owner's/Operating Manual for complete installation instructions.

1 Weather Seal installation: Install weather seal "E" to the inside front bulkhead, covering full width (see below). Align top edge of seal flush with top edge of bulkhead, see fig.1. Slowly peel backing and press seal against bulkhead.

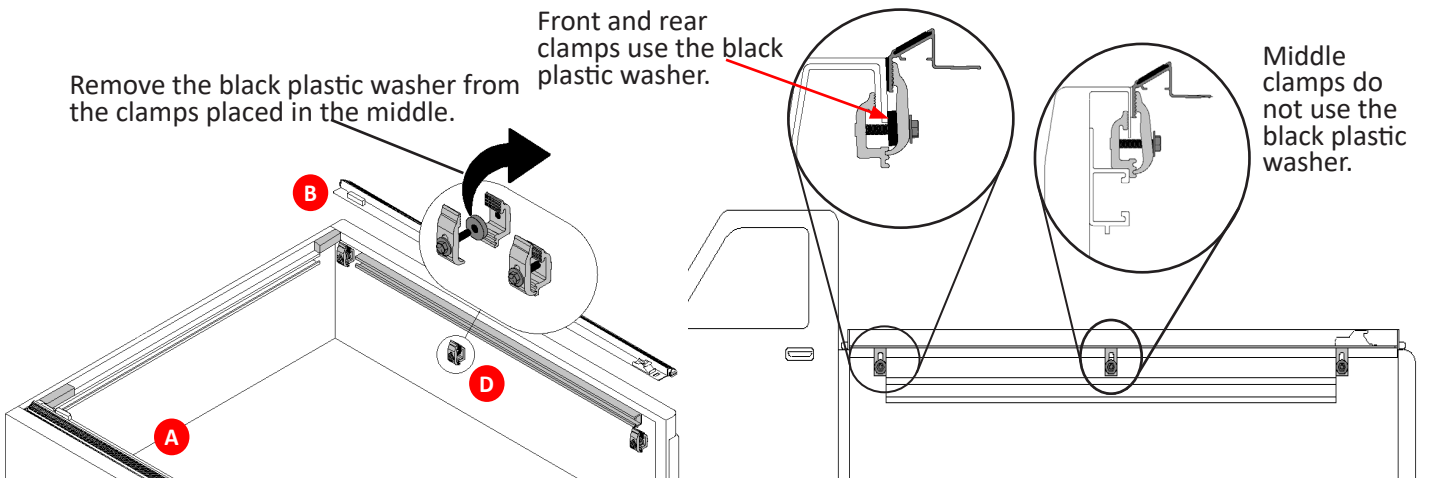


2 Side Rail Installation: Position side rails "A" and "B" against cab weather seal as shown below. See Owner's/Operating Manual for complete instructions.



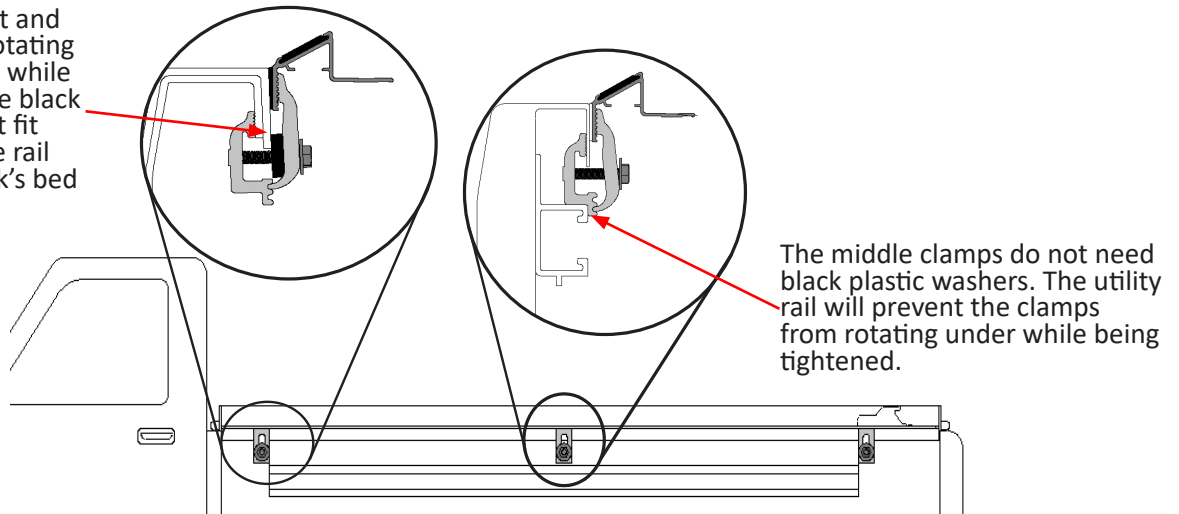
If your Nissan Frontier has Utility Rails, follow step 3 to successfully clamp the side rails to the trucks box.

3 Side Rail Clamp Installation: Install clamps "D" to both the driver and passenger rail, three clamps per rail. Note: the middle clamp will not use the black plastic round washer installed on the clamp.



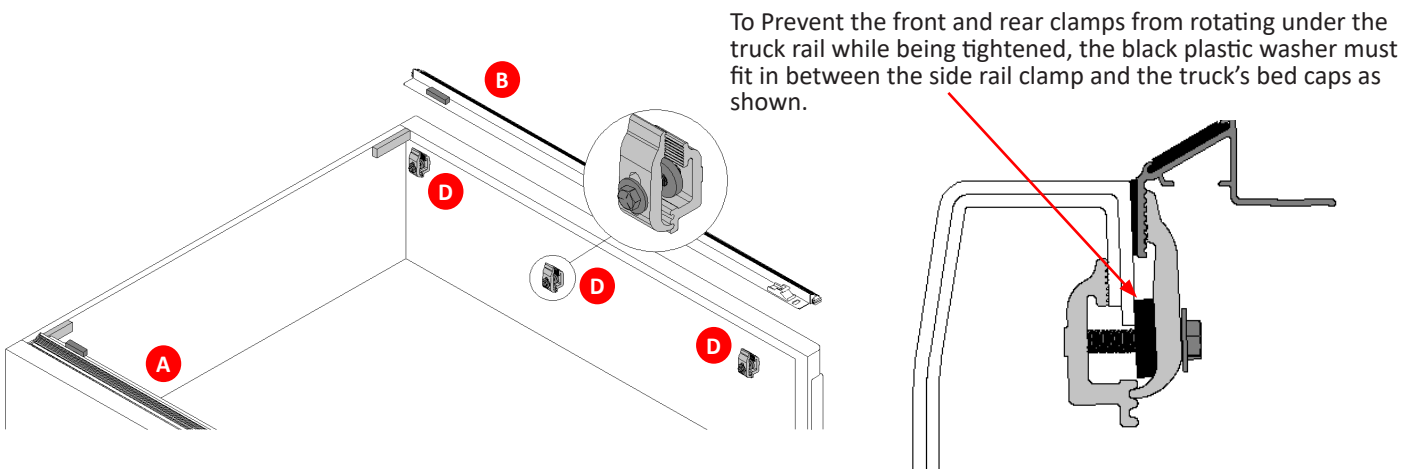
Clamping Side Rails To Truck Beds With Utility Rails Continued.

To Prevent the front and rear clamps from rotating under the truck rail while being tightened, the black plastic washer must fit in between the side rail clamp and the truck's bed caps as shown.



If your Nissan Frontier Does Not have Utility Rails, follow step 4 to successfully clamp the side rails to the trucks box.

4 Side Rail Clamp Installation: Install clamps "D" to both the driver and passenger rail, three clamps per rail. Note: all clamps will require the use of the black plastic round washer installed on the clamp.



5 Cover Assembly Installation: Install the cover assembly "C" to the driver and passenger rail. Continue installing the cover assembly by using the main owner's/operating manual.

